

NAG-20

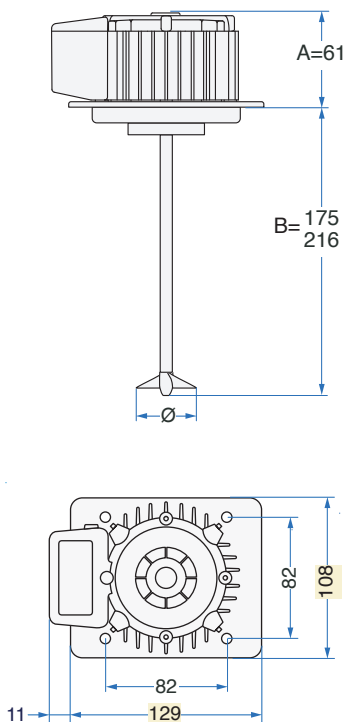


TECHNICAL SPECIFICATIONS

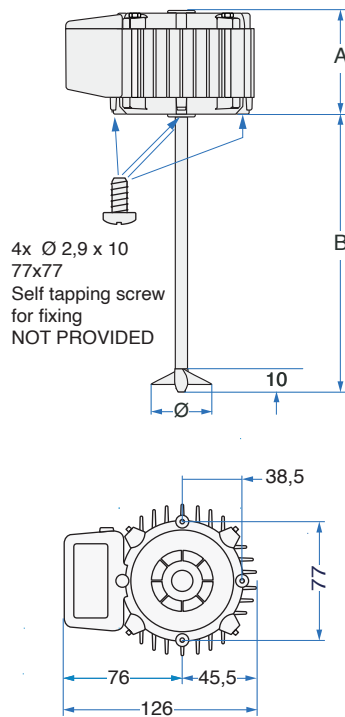


Category	Energy saving AGITATOR.
Windings	Single-phase motor. Insulation Class F.
Motor body	Extruded aluminium casing.
Protection	IP 44 ingress protection rating.
Safety	Built-in thermal motor protection system.
Ball bearings	NSK and SKF (long-life) self-lubricant bearings or equivalent, in semi-rigid noise-damping housings.
Motor shaft	AISI 303 INOX steel.
Fastening parts	INOX steel or corrosion-resistant materials.
Motor parts	Thermoplastic motor parts resistant to high temperature.
Cooling system	This device does not require a fan.
Operation	Power supply 230 Volts - 24 hours a day non stop. Clean non drinkable water only.
Regulations	Complying with EN60335-2-41:2003/A2:2010 and WEEE/RoHs directives.
Note	Read the instruction booklet for correct set up and use. Designed for industrial use with CE certified cooler machinery only. Not intended for food contact.

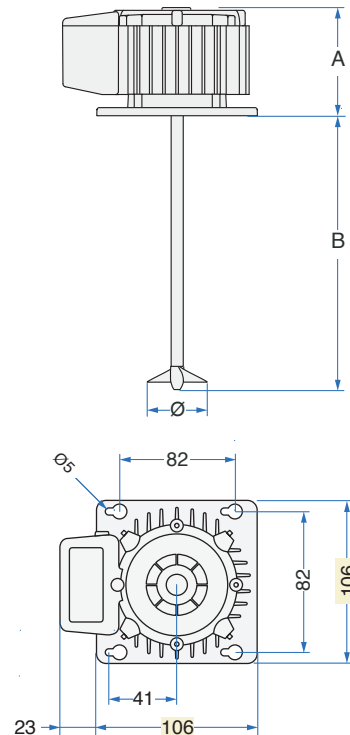
COMPACT VERSION



WITHOUT FIXING PLATE



STANDARD VERSION



TYPE	Volt	Hz	Amp	Watt	RPM	A	B	Propeller Ø [mm]	Weight [Kg]
NAG-20	230	50	0,02	14	2914	72	163/204	40x15° 2 Blades	1,3
NAG-20	230	50	0,05	18	2866	72	165/206	50x15° 2 Blades	1,3
NAG-20	230	50	0,07	20	2850	72	166/207	55x15° 2 Blades	1,3
NAG-20	230	50	0,08	22	2800	72	171/212	62x15° 2 Blades	1,3